

## Product Description

The ZM2.WALL is a mechanical accessory to mount a device on a flat surface or panel without utilizing a DIN-rail.

The order number ZM2.WALL contains two brackets and four mounting screws needed for one device.

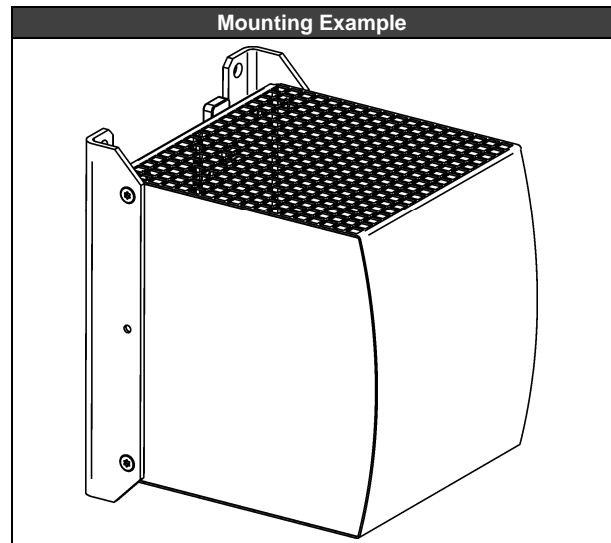
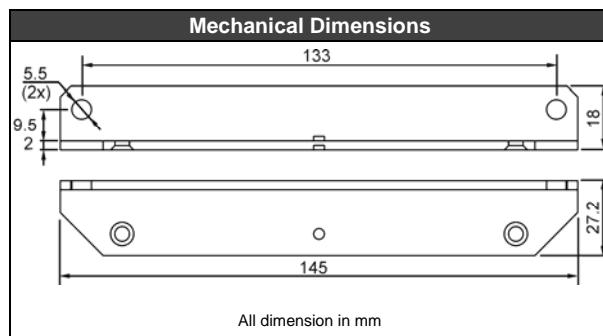
## Technical Data

**Size** (width x height x depth) 145x18x28mm

**Weight** 180g / 0.4lb

## Intended Use

This mechanical accessory is designed for DIN-rail devices. Check the product datasheet of the DIN-rail device to confirm that it is suitable for the desired device.



**Headquarters:** PULS GmbH, Elektrastr. 6, 81925 Munich, Germany, [www.pulspower.com](http://www.pulspower.com)

**Germany** +49 89 9278 0

**France** +33 478 668 941

**Austria** +43 2764 3213

**Switzerland** +41 56 450 18 10

**China** +86 512 62881820

**North America** +1 630 587 9780

**Singapore** +65 6684 2310

**United Kingdom** +44 1525 841001

The information in this document is believed to be accurate and reliable and may change without notice.

**Installation Instructions**

Mount the two steel brackets on the sides of the unit by using the self tapping countersunk screws included with the kit. The two brackets are symmetrical so there is no specific left or right side. Two screws are needed for each bracket which requires a Torx-T10 screwdriver. Tightening torque: 0.7-0.8 Nm (6.2-7.1 lb-in)

For some narrow units, the black plastic DIN-rail slide on the back of the unit may overlap with the mounting holes of the steel brackets. In such cases we recommend removing the black DIN-rail slide.

Removing instructions: Using a flat-blade screwdriver, push the lock tab downwards while at the same time push the plastic DIN-rail slide upwards. Remove the plastic slide.

**WARNING** - Risk of electrical shock, fire, personal injury or death.

Do not use other screws than the self tapping countersunk screws included with the kit. The unit might become unsafe when using longer screws as contact with live electrical circuits may occur.

